

CLIP CONNECTOR "DOVETAIL"

CLIP CONNECTOR "DOVETAIL"

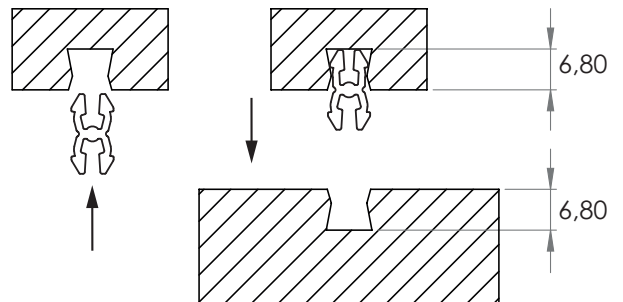
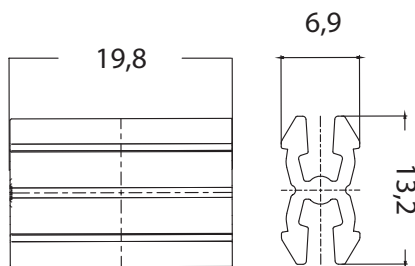
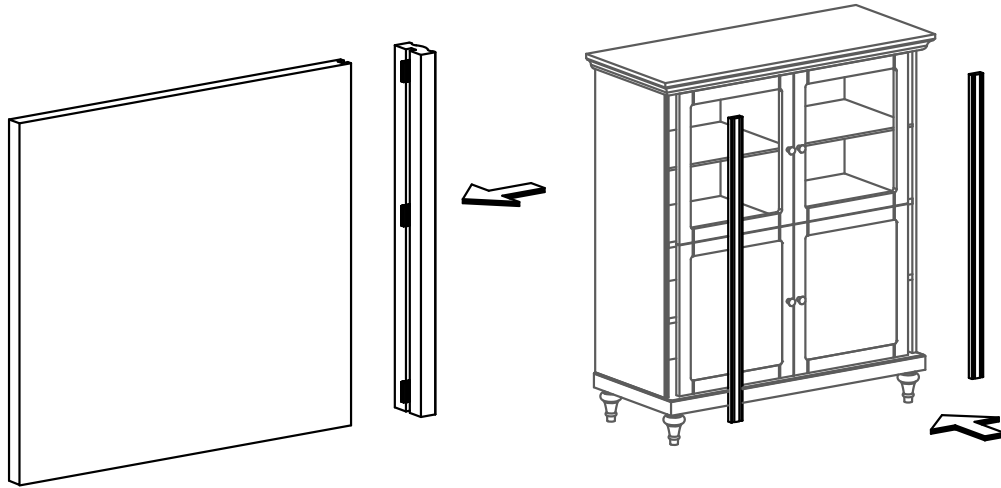
Application:

A concealed, self-tightening, clip connector for fast installation, used mostly for the mounting of mouldings onto surfaces. Use a plunge router to make a pocket groove in each component to be joined.

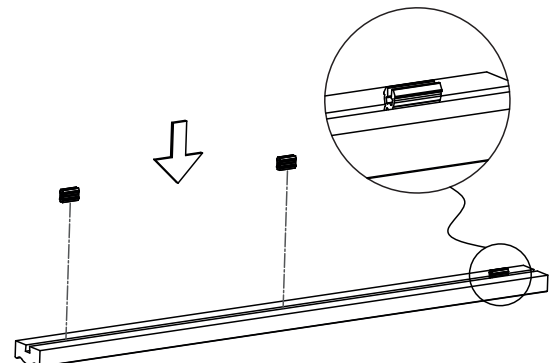
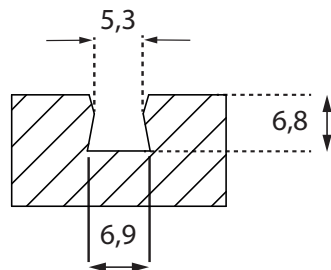
Material: POM, Brown
 Size: 6,9 x 13 x 19 mm (W/H/L)

Clip Connector:
 Item No.: # 11.05.840

Router:
 Item No.: #11. 05. 841



Router



SISO A/S